

COVE LIGHTING



ARCHITECTURAL
L I G H T I N G

A DIVISION OF W•A•C



COVE LIGHTING

CONTENTS

INTRODUCTION	2
APPLICATIONS.....	5
100 SERIES.....	6
200 SERIES.....	10
300 SERIES.....	14
400 SERIES.....	18
INDEX	22



COVE LIGHTING solutions from W2 Architectural Lighting offer four configurations to meet a broad range of applications. W2 Cove Lighting is engineered with specification grade asymmetrical reflectors and rugged housing construction. The fixtures employ energy efficient T5 and CFL lamping and feature easy to use plug-n-play connectors for multiple mounting installations.

W2 is the designer's choice for commercial and retail Cove Lighting applications including hotels, restaurants, offices, libraries, houses of worship, museums, galleries and atriums.

*All W2 Cove Lighting is provided with a 5 Year product Warranty.**
* Does not include ballast or lamp.





COVE LIGHTING – APPLICATIONS



The **SERIES 100** delivers quality accent lighting to architectural spaces. These fixtures may be interconnected end-to-end for straight or curved recessed coves to achieve a calm, aesthetic lighting environment.

The **SERIES 200** utilizes energy efficient biax CFL lamping. These fixtures are extremely versatile in creating desired lighting accents with the ability to align the fixtures in curves of varying radius to fit an architectural contour. The Series 200 also employs a pivot mechanism designed into the lamp holder assembly which allows for adjustment of the light throw to fine tune desired effects.



The **SERIES 300** fixtures may be interconnected end-to-end for straight, seamless runs in architectural spaces to achieve maximum lumens per foot for creating ambient lighting statements in a broad range of applications.

The **SERIES 400** has the ability to create dramatic lighting environments when utilizing colored T5 lamps and DALI dimming control. These fixtures are designed to provide uniform lighting and may be connected in straight, seamless runs via the integral connectors provided with the fixture.



COVE LIGHTING – 100 SERIES

FEATURES

- Energy Efficient T5 Lamping.
- Each unit is provided with a flexible connector.
- Provided with a linear spread diffuser lamp cover.
- Fixture constructed of formed, 16 gauge powder coated steel.
- L-brackets provided for easy installation
- Available with electronic, high power factor dimmable ballasts



BALLAST

High power program start electronic, ballast, 120V to 277V

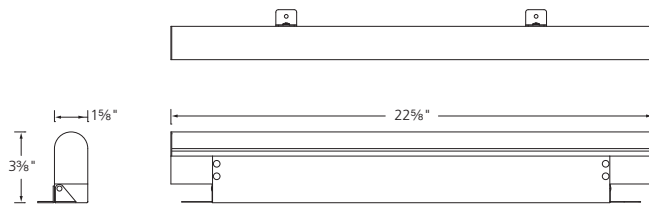
MODEL	LAMP	WATTAGE	VOLTAGE	LUMEN/FT.	LENGTH
NON DIMMABLE					
C100-14	F14T5	14W	120V - 277V	708	22 $\frac{5}{8}$ "
C100-24HO	F24T5HO	24W	120V - 277V	1055	22 $\frac{5}{8}$ "
C100-21	F21T5	21W	120V - 277V	714	34 $\frac{1}{2}$ "
C100-39HO	F39T5HO	39W	120V - 277V	1188	34 $\frac{1}{2}$ "
C100-28	F28T5	28W	120V - 277V	724	46 $\frac{1}{4}$ "
C100-54HO	F54T5HO	54W	120V - 277V	1250	46 $\frac{1}{4}$ "
ELECTRONIC DIMMING					
C100-14-D	F14T5	14W	120V - 277V	708	22 $\frac{5}{8}$ "
C100-21-D	F21T5	21W	120V - 277V	714	34 $\frac{1}{2}$ "
C100-28-D	F28T5	28W	120V - 277V	724	46 $\frac{1}{4}$ "

Consult factory for DALI dimming options.

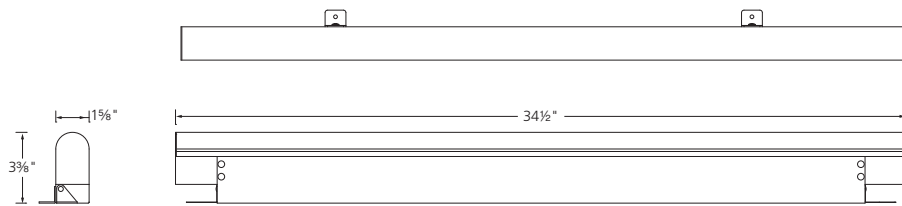
COVE LIGHTING – 100 SERIES

SIZES

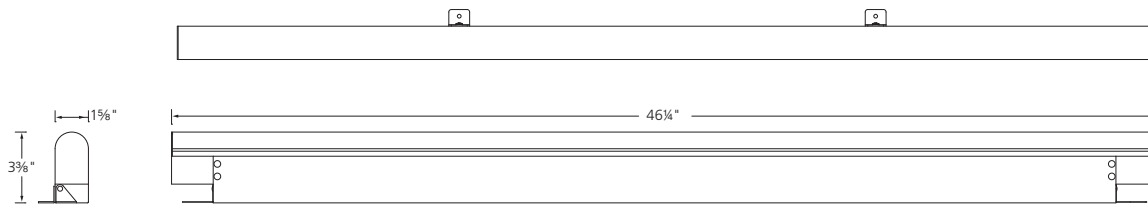
MODEL



CI00-14/24HO

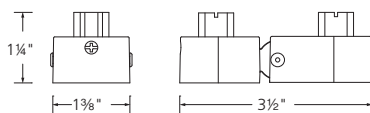


CI00-21/39HO

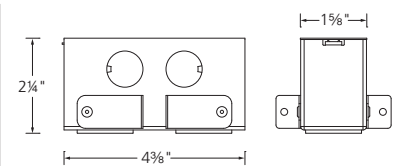


CI00-28/54HO

ACCESSORIES



MODEL	DESCRIPTION	VOLTAGE
CT-100	Flexible connector	120-277V



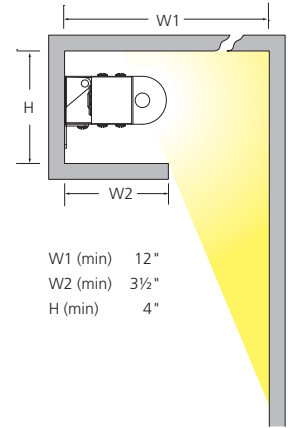
MODEL	DESCRIPTION	VOLTAGE
CJ-100	Junction box – rated 10.0A for power connection and branch wiring.	120-277V

COVE LIGHTING – 100 SERIES

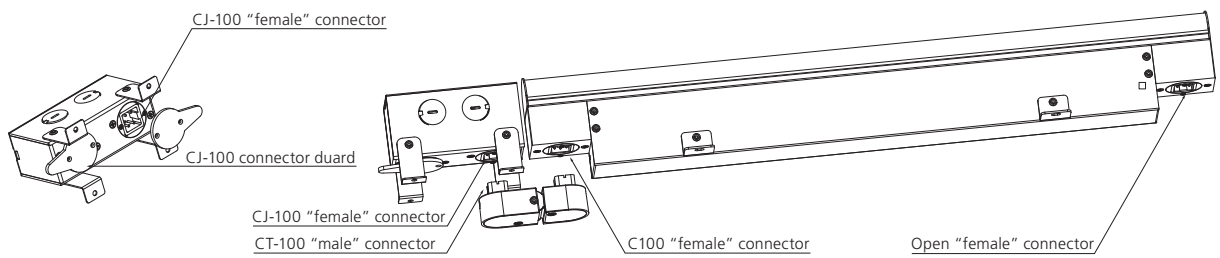
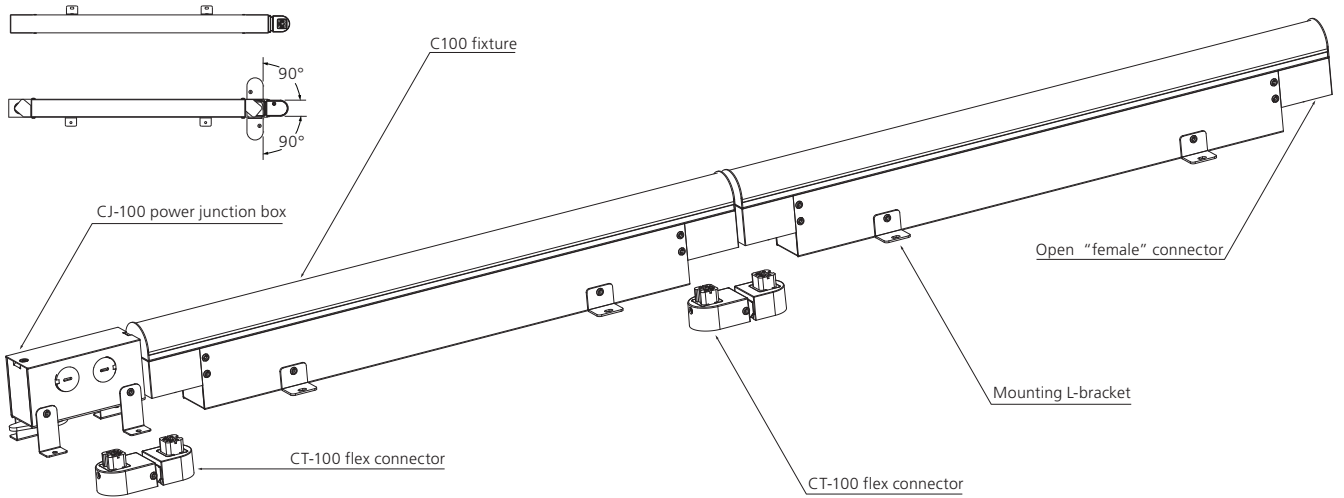
ASSEMBLY INSTRUCTIONS

The **SERIES 100** cove fixtures are easy to install. First, in order to supply power to the fixtures, a CJ-100 junction box is required.

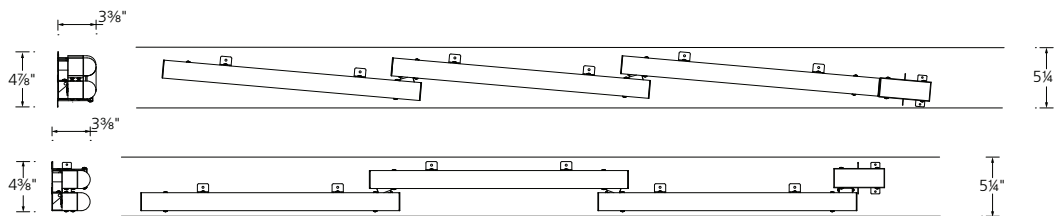
The junction box is provided with several ½ inch knockouts for incoming power cabling. The CJ-100 is then connected directly to the fixture end cap connector. The CJ-100 output connector has five pins in order to accommodate power feed and DALI control. It is important to note that each fixture is provided with a CT-100 Flexible Power Connector which allows for interconnection between each cove fixture. This simple plug-n-play connection method assures safe, positive electrical contact without splicing.



C100 Vertical Surface Application



C100 Assembly



Fully Assembled Chain

COVE LIGHTING – 100 SERIES

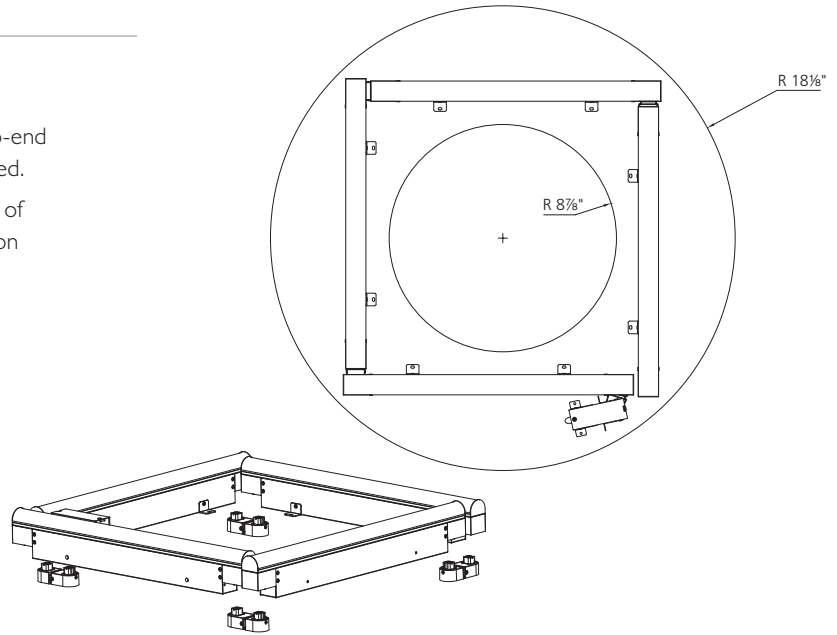
MOUNTING OPTIONS

Series 100 cove fixtures are easily screw-mounted via the L-brackets integral to the housing.

Multiple units may be configured in a variety of end-to-end arrangements with the plug-n-play connectors provided.

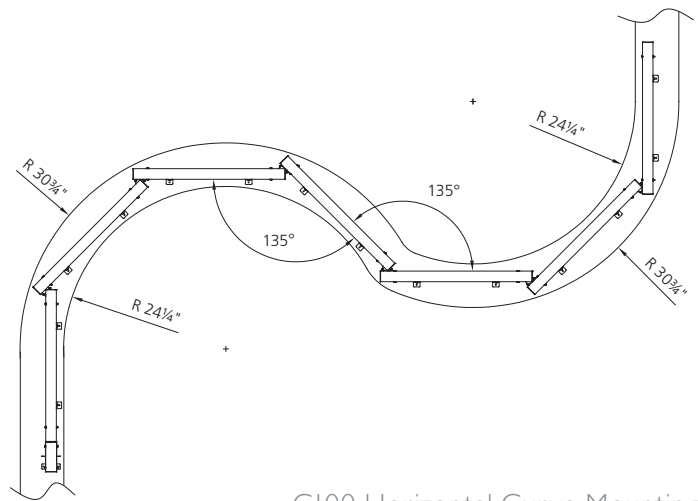
The flexibility in mounting options offers a wide range of applications to project vertical or horizontal illumination into spaces such as corridors and atriums.

MODEL	INSIDE RADIUS (MIN)	OUTSIDE RADIUS (MIN)
C100-14	8 $\frac{1}{8}$ "	18 $\frac{1}{8}$ "
C100-21	16 $\frac{1}{8}$ "	27"
C100-28	22"	35"



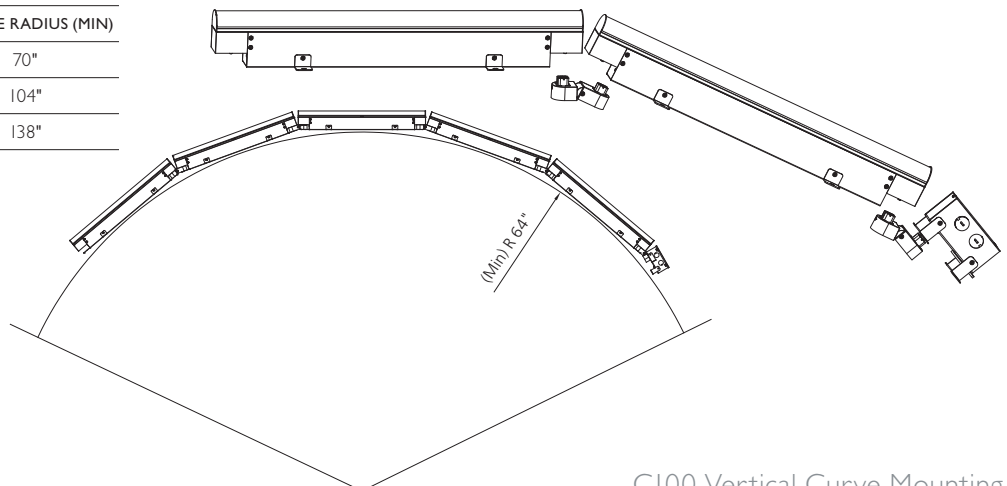
C100 Circular Mounting

MODEL	INSIDE RADIUS (MIN)	OUTSIDE RADIUS (MIN)
C100-14	24"	30 $\frac{3}{4}$ "
C100-21	39"	47"
C100-28	53"	62"



C100 Horizontal Curve Mounting

MODEL	INSIDE RADIUS (MIN)	OUTSIDE RADIUS (MIN)
C100-14	64"	70"
C100-21	98"	104"
C100-28	131"	138"

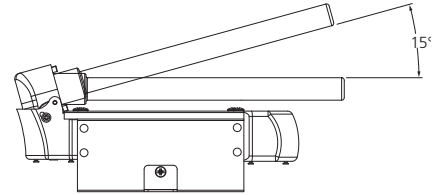


C100 Vertical Curve Mounting

COVE LIGHTING – 200 SERIES

FEATURES

- Energy Efficient, Twin Tube CFL Lamping.
- Fixture constructed of formed, 16 gauge powder coated steel.
- Each unit is provided with power connector.
- Fixtures may be configured into curves to form to architectural contours.
- L-brackets provided for easy installation.
- Provided with electronic, high power factor ballast.
- Adjustable lamp holder allows overlapping lamps to eliminate shadows.



BALLAST

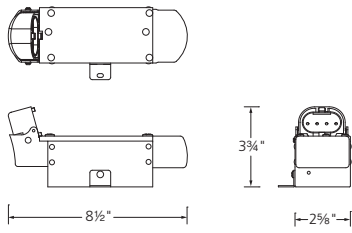
High power program start electronic, ballast, 120V to 277V

MODEL	LAMP	WATTAGE	VOLTAGE	LUMEN/FT.	LENGTH
NON DIMMABLE					
C200-18	PL-L 18W	18W	120V - 277V	1500	8½"
C200-24	PL-L 24W	24W	120V - 277V	1620	11½"
C200-36-120V	PL-L 36W	36W	120V	2055	15¼"
C200-36-277V	PL-L 36W	36W	277V	2055	15¼"
C200-40	PL-L 40W	40W	120V - 277V	1650	21¼"
ELECTRONIC DIMMING					
C200-36-120V-D	PL-L 36W	36W	120V	2055	15¼"
C200-36-277V-D	PL-L 36W	36W	277V	2055	15¼"
C200-40-120V-D	PL-L 40W	40W	120V	1650	21¼"
C200-40-277V-D	PL-L 40W	40W	277V	1650	21¼"

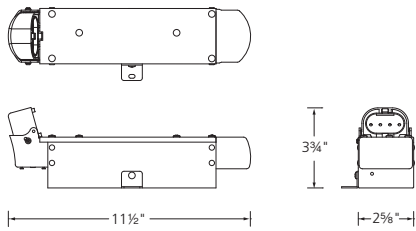
COVE LIGHTING – 200 SERIES

SIZES

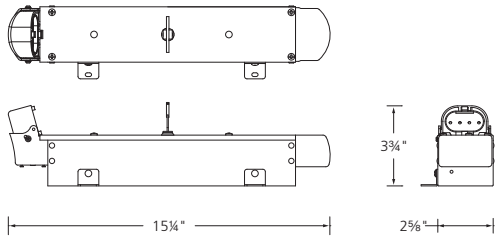
MODEL



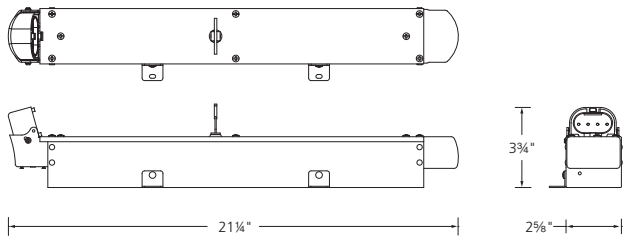
C200-18



C200-24

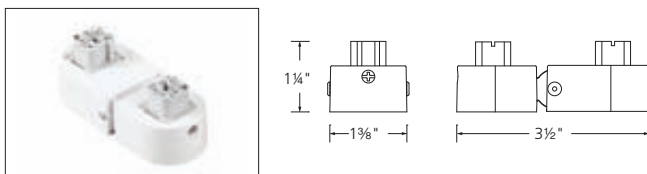


C200-36

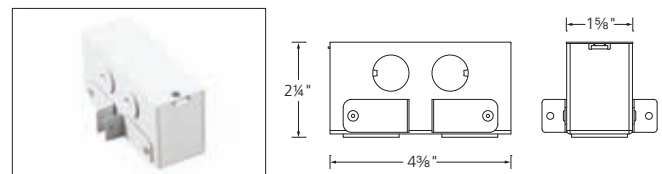


C200-40

ACCESSORIES



MODEL	DESCRIPTION	VOLTAGE
CT-100	Flexible connector	120-277V



MODEL	DESCRIPTION	VOLTAGE
CJ-100	Junction box – rated 10.0A for power connection and branch wiring.	120-277V

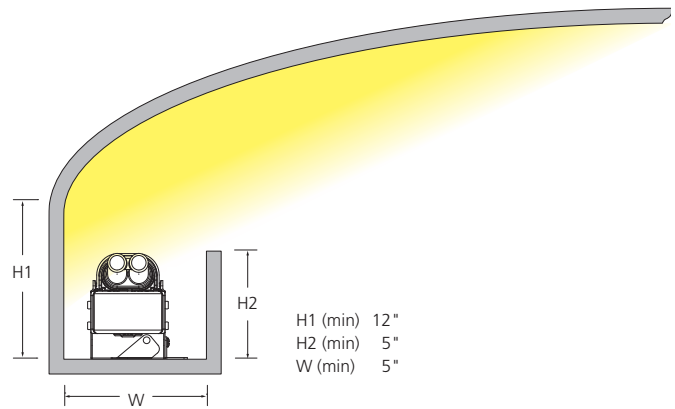
COVE LIGHTING – 200 SERIES

ASSEMBLY INSTRUCTIONS

The **SERIES 200** cove fixtures are easy to install. First, in order to supply power to the fixtures, a CJ-100 junction box is required.

The junction box is provided with several ½ inch knockouts for incoming power cabling. The CJ-100 is then connected directly to the fixture end cap connector.

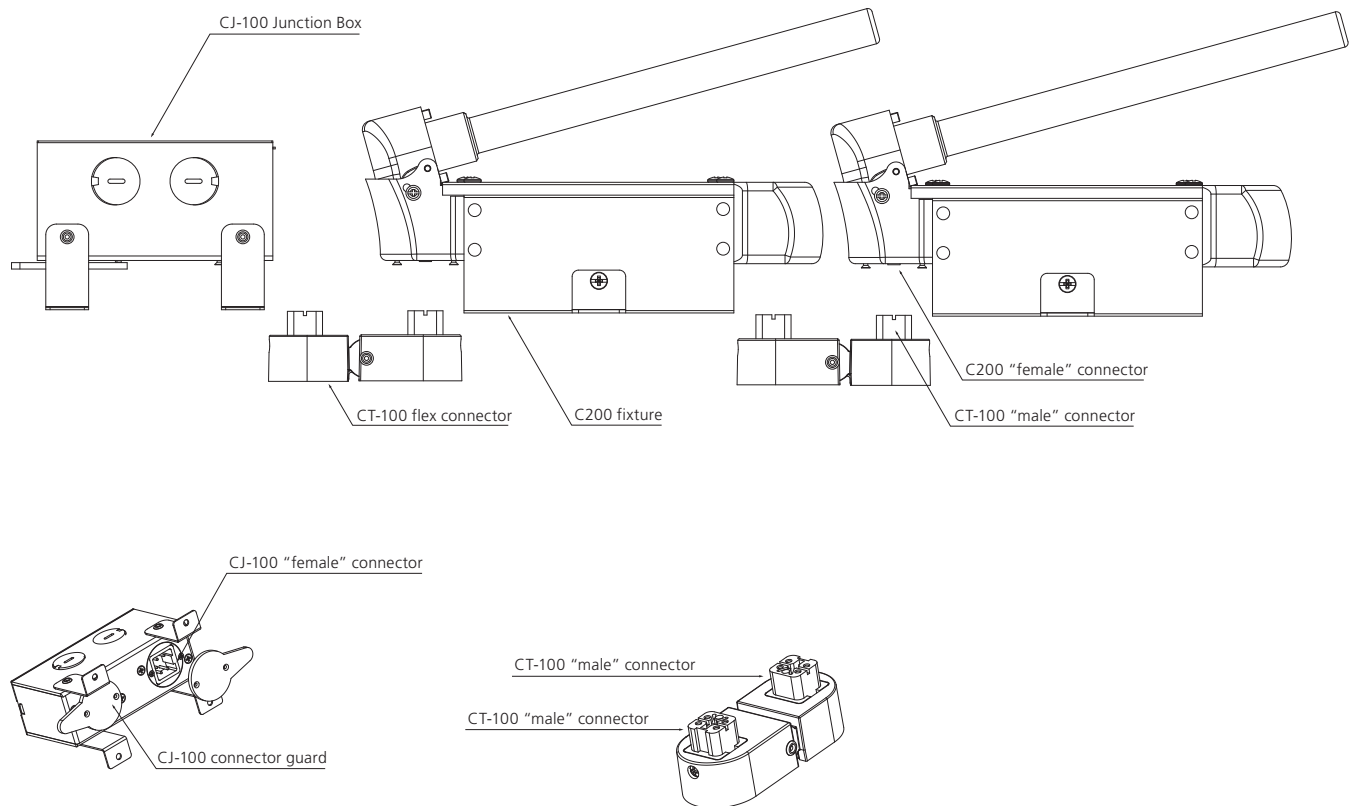
Each fixture is provided with a CT-100 flexible connector. This simple plug-n-play connection method assures safe, positive electrical contact without splicing.



C200 Radial Application

OVERLAPPING

The overlapping feature of the CFL cove fixtures shown below utilizes a swivel lamp holder assembly while the fixture base remains fixed on the mounting surface of the building structure. This allows for shadow-free, even distribution of light along extended runs in ground level and recessed applications.



C200 Assembly

COVE LIGHTING – 200 SERIES

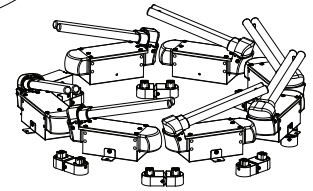
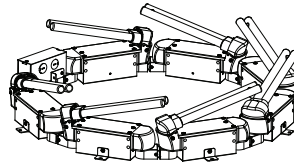
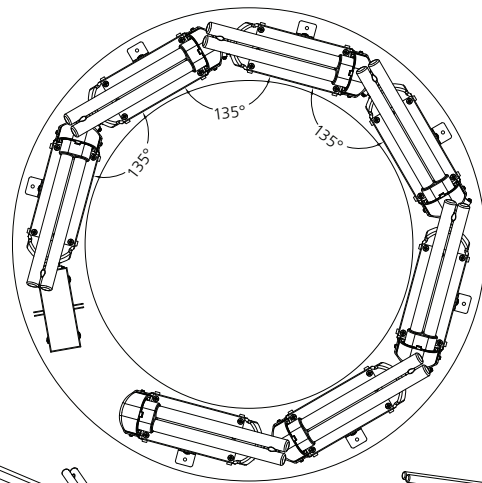
MOUNTING OPTIONS

Series 200 cove fixtures are easily screw-mounted via the L-brackets integral to the housing.

Multiple units may be configured in a variety of end-to-end arrangements with the plug-n-play connectors provided.

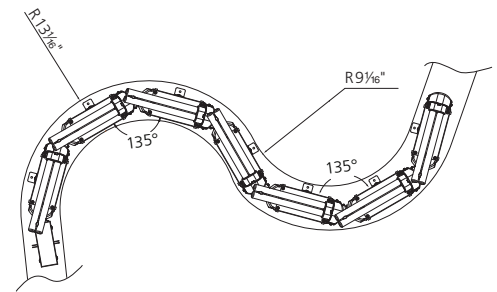
The flexibility in mounting options offers a wide range of applications to project vertical or horizontal illumination into spaces such as corridors and atriums.

MODEL	INSIDE RADIUS (MIN)	OUTSIDE RADIUS (MIN)
C200-18	9 1/16"	3 1/16"
C200-24	13"	18"
C200-36	18"	23"
C200-40	25"	31"

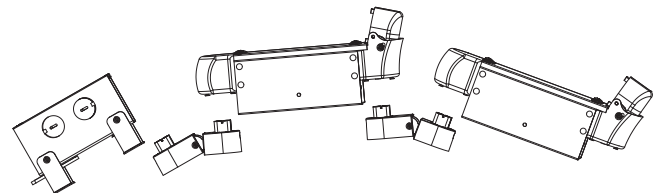
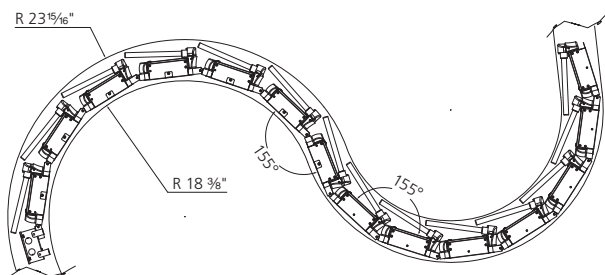


C100 Circular Mounting

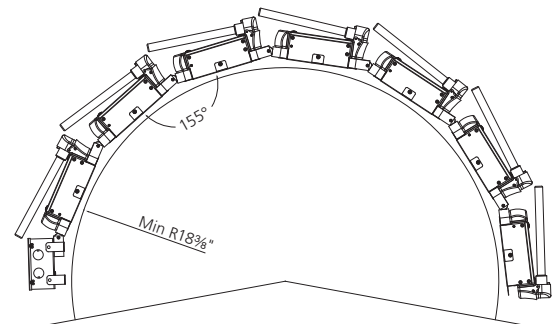
MODEL	INSIDE RADIUS (MIN)	OUTSIDE RADIUS (MIN)
C200-18	9 1/16"	3 1/16"
C200-24	13"	18"
C200-36	18"	23"
C200-40	25"	31"



C200 Horizontal Curve Mounting



MODEL	INSIDE RADIUS (MIN)	OUTSIDE RADIUS (MIN)
C200-18	18 7/8"	23 15/16"
C200-24	26"	33"
C200-36	35"	41"
C200-40	49"	56"



C200 Vertical Curve Mounting

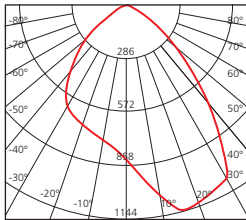
COVE LIGHTING – 300 SERIES

FEATURES

- Energy Efficient Dual T5 Lamping.
- Power connectors are integral to fixture housing for seamless end-to-end installation.
- Asymmetrical reflectors are individually adjustable allowing a maximum forward throw of illumination over a broad surface area.
- Fixture constructed of formed, 16 gauge powder coated steel.
- L-brackets provided for easy installation.
- Available with electronic, high power factor dimmable ballasts.



PHOTOMETRICS



BALLAST

High power program start electronic, ballast, 120V to 277V

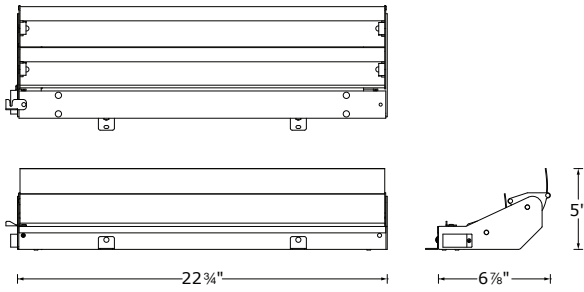
MODEL#	LAMP	WATTAGE	VOLTAGE	LUMEN/FT.	LENGTH
NON DIMMABLE					
C300-14	F14T5	14W	120V - 277V	1062	22¾"
C300-24HO	F24T5HO	24W	120V - 277V	1583	22¾"
C300-21	F21T5	21W	120V - 277V	1071	34⅝"
C300-39HO	F39T5HO	39W	120V - 277V	1782	34⅝"
C300-28	F28T5	28W	120V - 277V	1086	46⅜"
C300-54HO	F54T5HO	54W	120V - 277V	1875	46⅜"
ELECTRONIC DIMMING					
C300-14-D	F14T5	14W	120V - 277V	1062	22¾"
C300-21-D	F21T5	21W	120V - 277V	1071	34⅝"
C300-28-D	F28T5	28W	120V - 277V	1086	46⅜"

Consult factory for DALI dimming options.

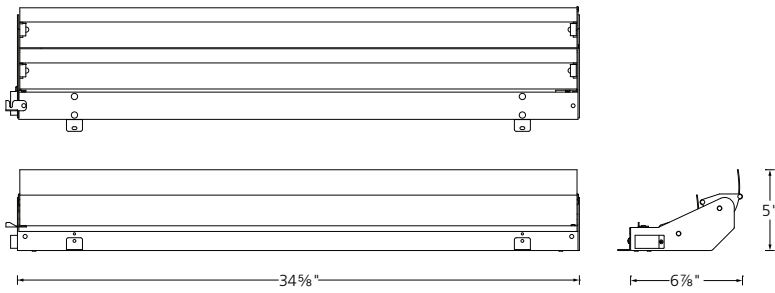
COVE LIGHTING – 300 SERIES

SIZES

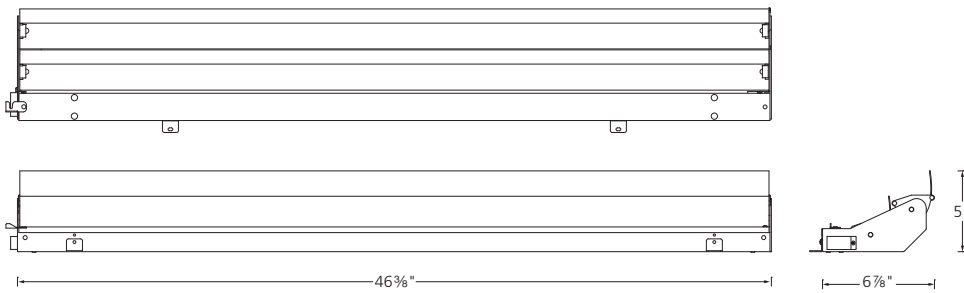
MODEL



C300-14/24

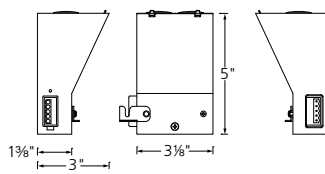


C300-21/39



C300-28/54

ACCESSORIES



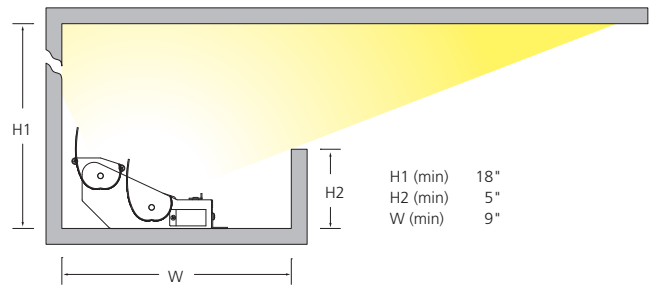
MODEL	DESCRIPTION	VOLTAGE
CJ-300	Junction Box – rated 10.0A for power connections and branch wiring	120-277V

COVE LIGHTING – 300 SERIES

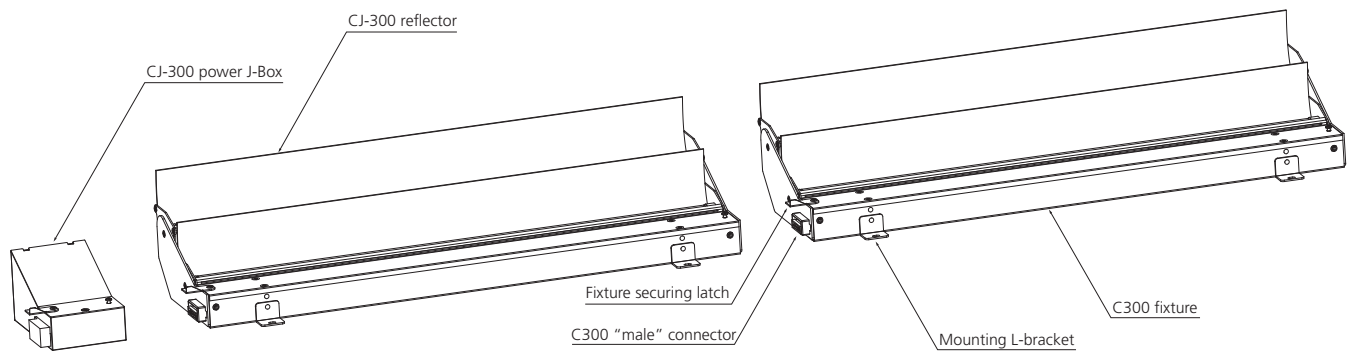
ASSEMBLY INSTRUCTIONS

The **SERIES 300** cove fixtures are easy to install. First, in order to supply power to the fixtures, a CJ-300 junction box is required.

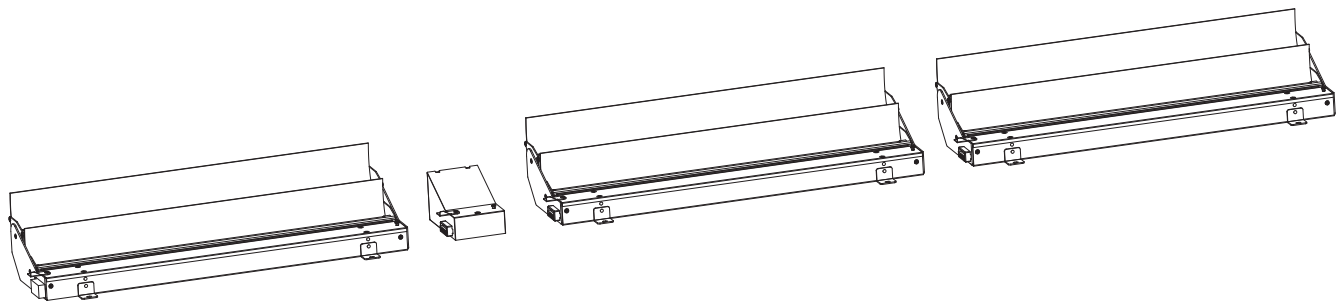
The junction box is provided with several ½ inch knockouts for incoming power cabling. The CJ-300 is then connected directly to the fixture end cap connector. The CJ-300 output connector has 5 pins in order to accommodate power feed and DALI control. It is important to note that each fixture is provided with an integral interconnect port which allows for seamless connection between each cove fixture. This simple plug-n-play connection method assures safe, positive electrical contact without the need for tools.



C300 Horizontal Surface Application



C300 Assembly



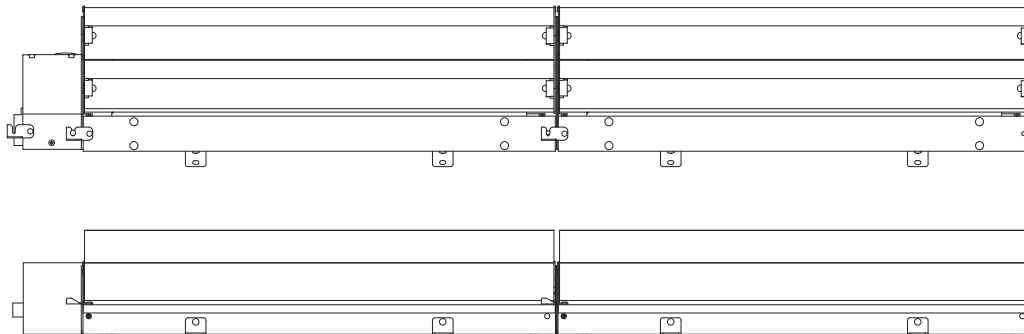
C300 Assembly Option

COVE LIGHTING – 300 SERIES

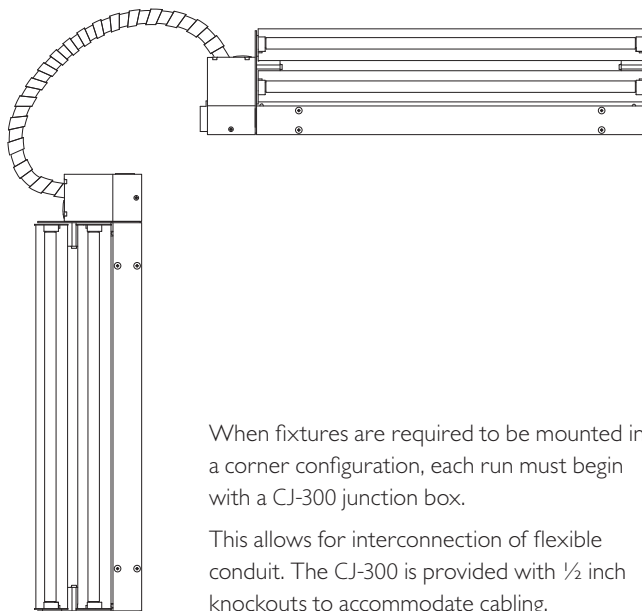
MOUNTING OPTIONS

Series 300 cove fixtures are easily screw-mounted via the L-brackets integral to the housing.

Multiple units may be configured in end-to-end arrangements using integral connectors provided.



C300 Assembled View

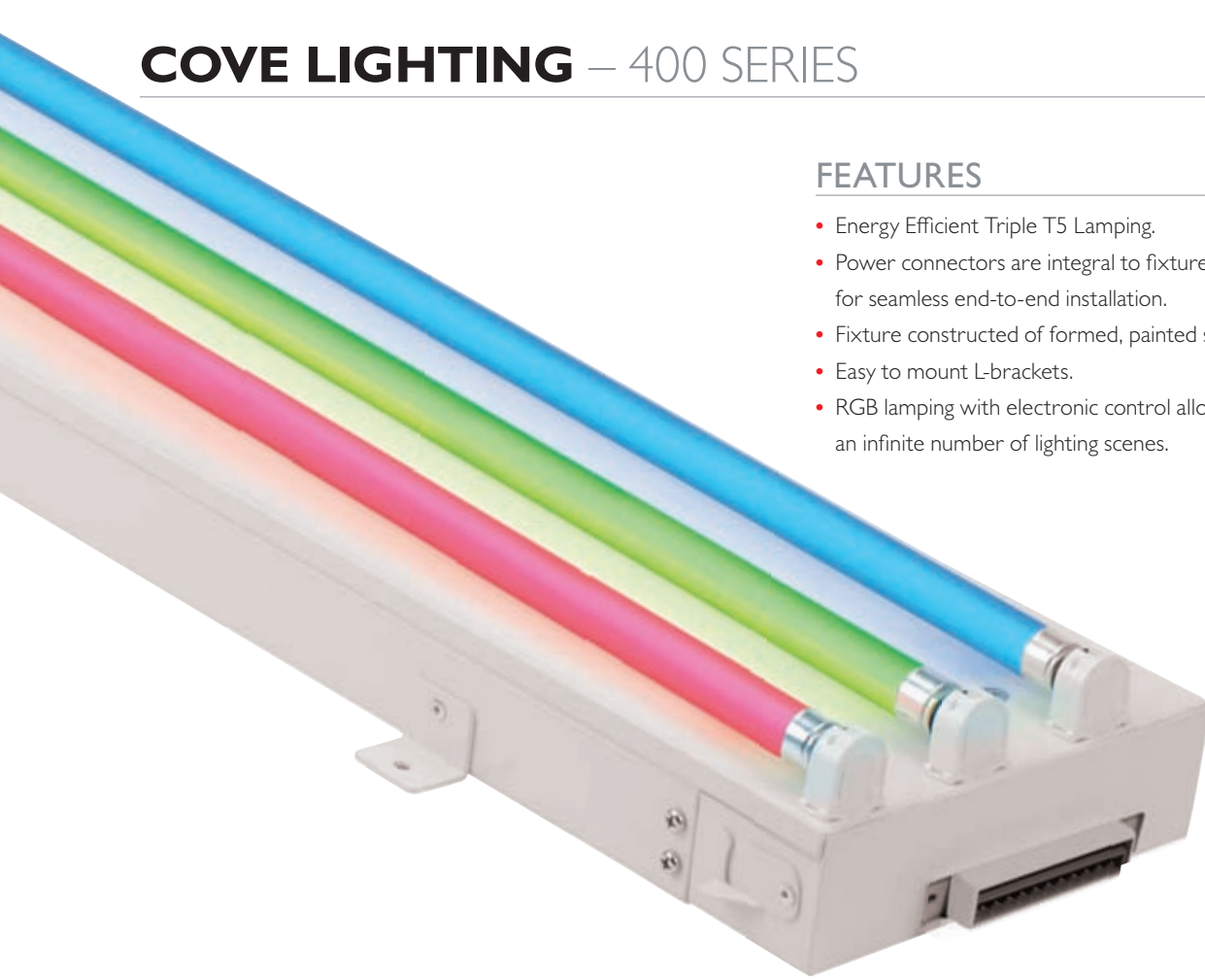


When fixtures are required to be mounted in a corner configuration, each run must begin with a CJ-300 junction box.

This allows for interconnection of flexible conduit. The CJ-300 is provided with 1/2 inch knockouts to accommodate cabling.

C300 Corner Assembly

COVE LIGHTING – 400 SERIES



FEATURES

- Energy Efficient Triple T5 Lamping.
- Power connectors are integral to fixture housing for seamless end-to-end installation.
- Fixture constructed of formed, painted steel.
- Easy to mount L-brackets.
- RGB lamping with electronic control allows for an infinite number of lighting scenes.

BALLAST

High power program start electronic ballast, 120V to 277V

DIMMING

The 400 series is provided with electronic dimming ballasts to be operated with electronic dimming controls.

STARTING SECTION

MODEL#	LAMP	WATTAGE	VOLTAGE	LUMEN/FT.	LENGTH
ELECTRONIC DIMMING					
C400-14S-D	F14T5	14W	120V - 277V	2124	20 ¹ / ₈ "
C400-21S-D	F21T5	21W	120V - 277V	2142	31 ¹ / ₈ "
C400-28S-D	F28T5	28W	120V - 277V	2172	43 ³ / ₄ "

MIDDLE SECTION

MODEL#	LAMP	WATTAGE	VOLTAGE	LUMEN/FT.	LENGTH
ELECTRONIC DIMMING					
C400-14-D	F14T5	14W	120V - 277V	2124	20 ¹ / ₈ "
C400-21-D	F21T5	21W	120V - 277V	2142	31 ¹ / ₈ "
C400-28-D	F28T5	28W	120V - 277V	2172	43 ³ / ₄ "

ENDING SECTION

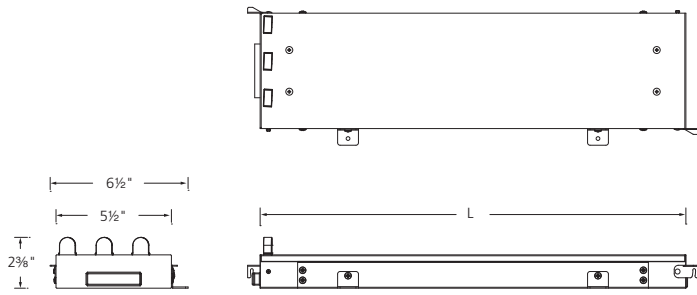
MODEL#	LAMP	WATTAGE	VOLTAGE	LUMEN/FT.	LENGTH
ELECTRONIC DIMMING					
C400-14E-D	F14T5	14W	120V - 277V	2124	22 ⁷ / ₈ "
C400-21E-D	F21T5	21W	120V - 277V	2142	34 ⁷ / ₈ "
C400-28E-D	F28T5	28W	120V - 277V	2172	46 ¹ / ₂ "

Consult factory for DALI dimming options.

COVE LIGHTING – 400 SERIES

SIZES

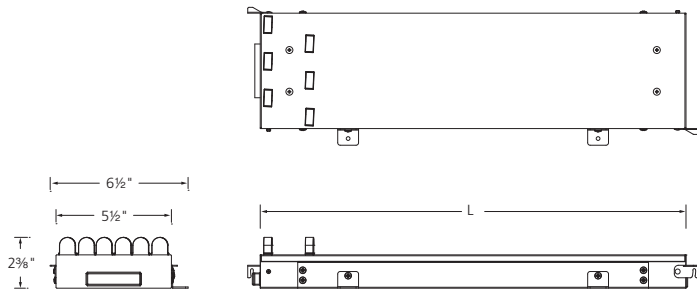
MODEL



C400-14S-D
C400-21S-D
C400-28S-D

L=20¹/₈"
L=31¹/₈"
L=43³/₄"

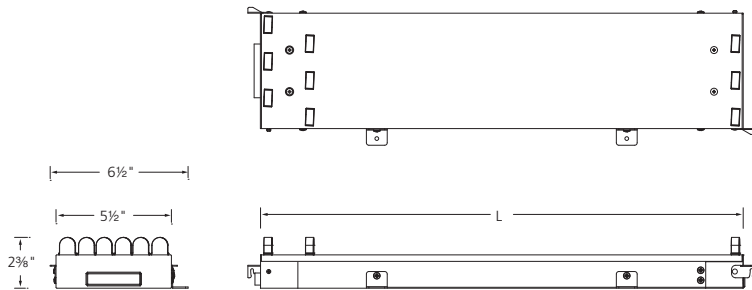
C400 – STARTING SECTION



C400-14-D
C400-21-D
C400-28-D

L=20¹/₈"
L=31¹/₈"
L=43³/₄"

C400 – MIDDLE SECTION

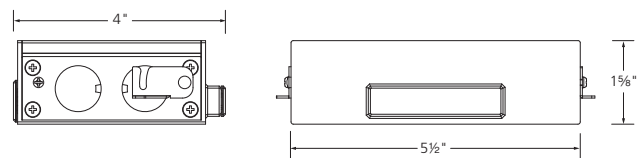


C400-14E-D
C400-21E-D
C400-28E-D

L=22¹/₈"
L=34¹/₈"
L=46¹/₂"

C400 – ENDING SECTION

ACCESSORIES



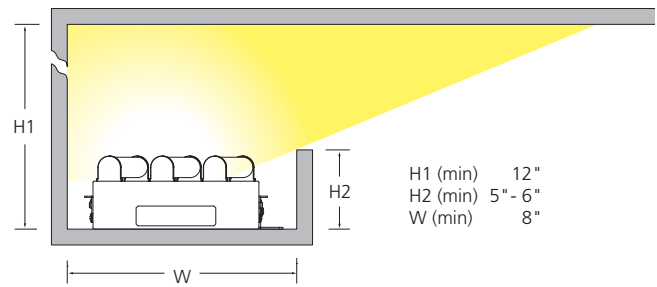
MODEL	DESCRIPTION	VOLTAGE
CJ-400	C-400 Junction Box for power connecting and branch wire	120-277V

COVE LIGHTING – 400 SERIES

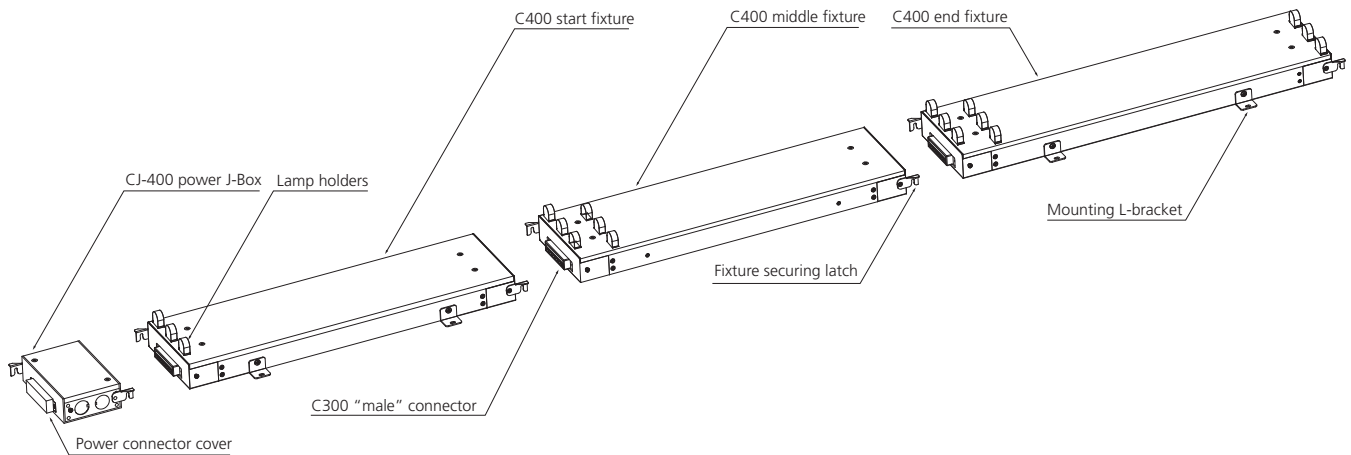
ASSEMBLY INSTRUCTIONS

The **SERIES 400** cove fixtures are easy to install. First, in order to supply power to the fixtures, a CJ-400 junction box is required.

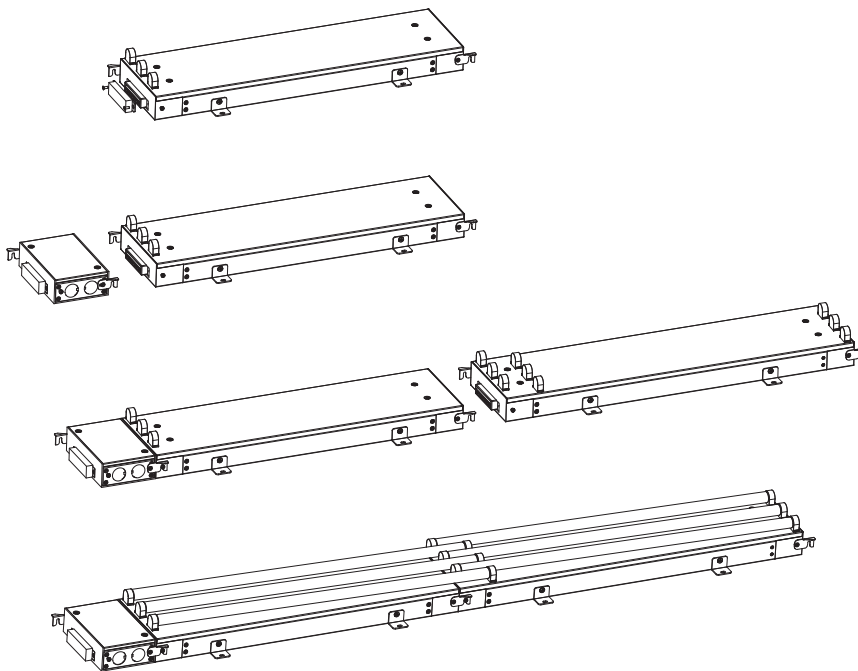
The junction box is provided with several ½ inch knockouts for incoming power cabling. The CJ-400 is then connected directly to the fixture end cap connector. The CJ-400 output connector has 12 pins in order to accommodate power feed to three RGB ballasts and DALI control. It is important to note that each fixture is provided with An integral interconnect port which allows for seamless connection between each cove fixture. This simple plug-n-play connection method assures safe, positive electrical contact without the need for tools.



C400 Horizontal Surface Application



C400 Assembly



C400 Step-By-Step Assembly

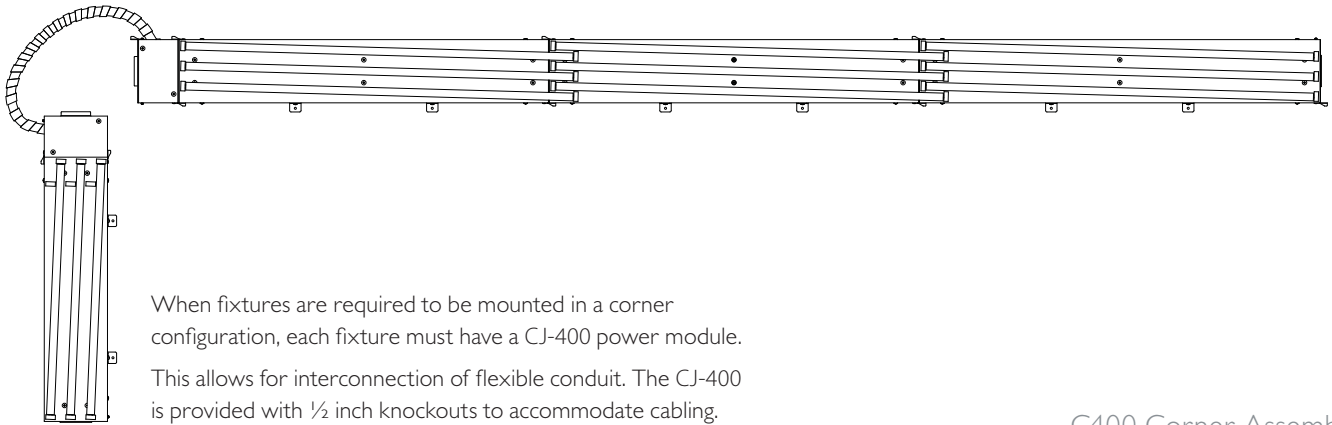
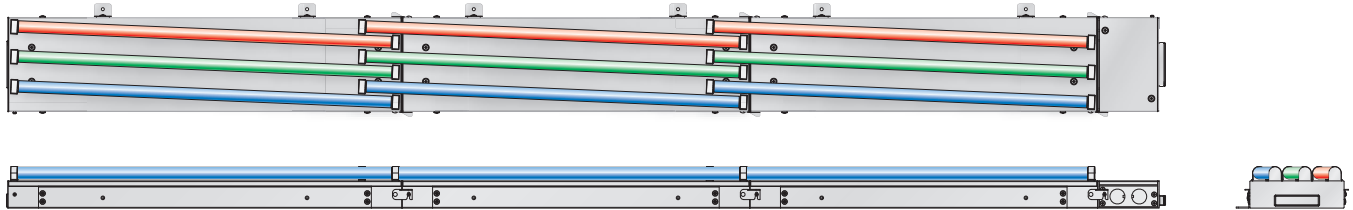
COVE LIGHTING – 400 SERIES

MOUNTING OPTIONS

Series 400 cove fixtures are easily screw-mounted via the L-brackets integral to the housing.

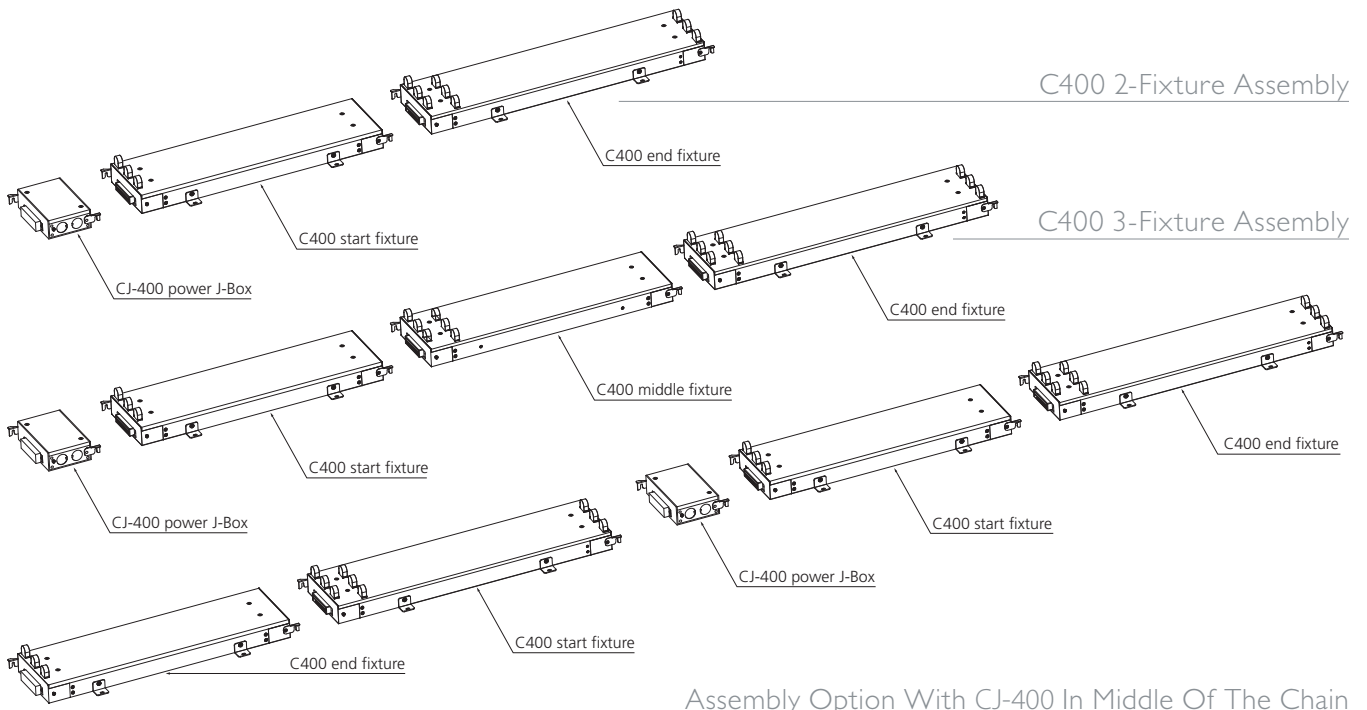
Multiple units may be configured in a variety of end-to-end arrangements with the plug-n-play connectors provided.

The CJ-400 power module may be mounted at the end or between fixtures for flexibility to accommodate incoming power feed location.



When fixtures are required to be mounted in a corner configuration, each fixture must have a CJ-400 power module. This allows for interconnection of flexible conduit. The CJ-400 is provided with 1/2 inch knockouts to accommodate cabling.

C400 Corner Assembly



Assembly Option With CJ-400 In Middle Of The Chain

C

C100-14.....	6
C100-14-D.....	6
C100-21.....	6
C100-21-D.....	6
C100-24HO.....	6
C100-28.....	6
C100-28-D.....	6
C100-39HO.....	6
C100-54HO.....	6
C200-18.....	10
C200-24.....	10
C200-36-120V.....	10
C200-36-120V-D.....	10
C200-36-277V.....	10
C200-36-277V-D.....	10
C200-40.....	10
C200-40-120V-D.....	10
C200-40-277V-D.....	10
C300-14.....	14
C300-14-D.....	14
C300-21.....	14
C300-21-D.....	14
C300-24HO.....	14
C300-28.....	14
C300-28-D.....	14
C300-39HO.....	14
C300-54HO.....	14
C400-14-D.....	18
C400-14E-D.....	18
C400-14S-D.....	18
C400-21-D.....	18
C400-21E-D.....	18
C400-21S-D.....	18
C400-28-D.....	18
C400-28E-D.....	18
C400-28S-D.....	18
CJ-100.....	7, 11
CJ-300.....	15
CJ-400.....	19
CT-100.....	7, 11





ARCHITECTURAL
L I G H T I N G

A DIVISION OF W•A•C

615 South Street
Garden City, NY 11530

168 Brea Canyon Road
City of Industry, CA 91789

Tel: 866.788.2100
Fax: 516.393.3084

w2lighting.com
Copyright 2008